



Main

Range of Product	Advantys ABE9
Product or Component Type	IP67 passive splitter box
Number of Channels	4
Electrical connection	1 pre-wired cable connector, 32.81 ft (10 m) 4 female connectors M12 5 pins
Status LED	Channel status 1 LED per channel Yellow) Power ON 2 LEDs Green)

Complementary

Number of ways	8 ways
[Ue] rated operational voltage	24 V DC
Current per channel	4 A
Insulation group	Category 3 VDE 0110
Operating position	Any position
Fixing Mode	M4 screw fixing
Contact resistance	5000 µOhm
Current of common	16 A 0.00 in ² (1 mm ²) 12 A 0.00 in ² (0.75 mm ²)
Separation of commons	Without or with
Net Weight	3.75 lb(US) (1.7 kg)

Environment

IP degree of protection	IP67 conforming to IEC 529
Product Certifications	cULus
Ambient air temperature for operation	-4...176 °F (-20...80 °C)
Ambient Air Temperature for Storage	-40...185 °F (-40...85 °C)
Vibration resistance	0.2 gn 57...150 Hz)IEC 68-2-6, FC tests
Shock resistance	30 gn 11 ms EN 68-2-2 30 gn 11 ms IEC 68-2-2

Ordering and shipping details

Category	18125 - MODSOFT LITE SOFTWARE
Discount Schedule	PC12
GTIN	3389110404609
Nbr. of units in pkg.	1
Package weight(Lbs)	3.30 lb(US) (1.498 kg)
Returnability	No
Country of origin	DE

Packing Units

Unit Type of Package 1	PCE
Package 1 Height	1.57 in (4 cm)
Package 1 width	11.81 in (30 cm)
Package 1 Length	11.02 in (28 cm)
Unit Type of Package 2	S03
Number of Units in Package 2	4
Package 2 Weight	14.05 lb(US) (6.374 kg)
Package 2 Height	11.81 in (30 cm)
Package 2 width	11.81 in (30 cm)
Package 2 Length	15.75 in (40 cm)

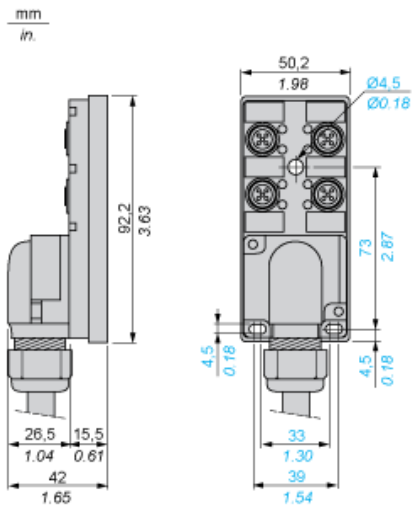
Offer Sustainability

Sustainable offer status	Green Premium product
California proposition 65	WARNING: This product can expose you to chemicals including: Lead and lead compounds, which is known to the State of California to cause cancer and birth defects or other reproductive harm. For more information go to www.P65Warnings.ca.gov
REACH Regulation	REACH Declaration
REACH free of SVHC	Yes
EU RoHS Directive	Pro-active compliance (Product out of EU RoHS legal scope) EU RoHS Declaration
Toxic heavy metal free	Yes
Mercury free	Yes
RoHS exemption information	Yes
China RoHS Regulation	China RoHS Declaration
Environmental Disclosure	Product Environmental Profile
Circularity Profile	End Of Life Information
WEEE	The product must be disposed on European Union markets following specific waste collection and never end up in rubbish bins.

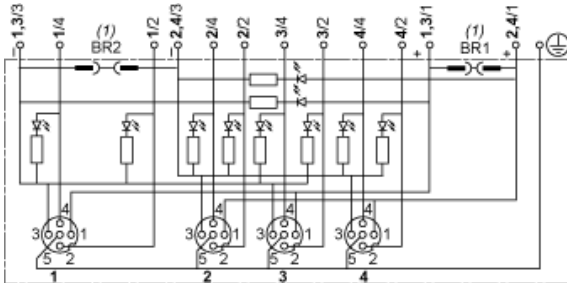
Contractual warranty

Warranty	18 months
----------	-----------

Dimensions



Wiring Diagram



(1) BR1 and BR2: removable link

Item	Terminal	Wire
1/4	1	White
1/2	9	Grey/pink
2/4	2	Green
2/2	10	Red/blue
3/4	3	Yellow
3/2	11	White/green
4/4	4	Grey
4/2	12	Brown/green
1 and 3/1	+1	Brown 1
2 and 4/1	+2	Brown 2
1 and 3/3	-1	Blue 1
2 and 4/3	-2	Blue 2
1...4/5	PE	Green/yellow

Connection Terminals

